

ORDER DATA

Part.-No.

Ventilation button (with foil push buttons and displs)				
Application: Ventilation button for connection to the ventilation inputs of SHEV or natural ventilation control units.				



TECHNICAL DATA (Rated values)

Contact type:	2 NO switches
Switching capacity:	max. 42V / 50 mA
Current consumption display:	< 10 mA
Housing:	plastic, white (similar to RAL 1013)
Dimensions (WxHxD):	Surface mounting: 81 x 81 x 44 mm Flush mounting: 81 x 81 x 11 mm
Connections:	Screw terminal 1,5 mm ² (rigid wire)
Protection rating:	IP20
Functions:	OPEN-STOP-CLOSE
Display:	LED for OPEN, CLOSE

Feature/Equipment
▪ Push buttons without mechanical locking

VERSIONS				
Surface mounting		529020		
Flush mounting (in box Ø60 mm)		529050		

Ventilation button				
Application: Ventilation button for connection to the ventilation inputs of SHEV or natutal ventilation control units.				



TECHNICAL DATA (Rated values)

Contact type:	2 NO switches
Switching capacity:	230 V AC / 10 A
Housing:	plastic, white (similar to RAL 1013)
Dimensions (WxHxD):	Surface mounting: 81 x 81 x 54 mm Flush mounting: 81 x 81 x 11 mm
Connections:	Screw terminal 1,5 mm ² (rigid wire)
Protection rating:	IP20
Functions:	OPEN / CLOSE

Feature/Equipment
▪ Push buttons without mechanical locking, stop function when both buttons are pushed

VERSIONS				
Surface mounting		529030		
Flush mounting (in box Ø60 mm)		529230		

Ventilation key button				
Application: Ventilation button for connection to the ventilation inputs of SHEV or natural ventilation control units.				



TECHNICAL DATA (Rated values)

Contact type:	2 NO switches
Switching capacity:	230 V AC / 10 A
Housing:	plastic, white (similar to RAL 1013)
Dimensions (WxHxD):	Surface mounting: 81 x 81 x 54 mm Flush mounting: 81 x 81 x 11 mm
Connections:	Screw terminal 1,5 mm ² (rigid wire)
Protection rating:	IP20
Functions:	OPEN-STOP-CLOSE

Feature/Equipment
▪ With semicylinder (DIN 19525) and 3 keys

VERSIONS				
Surface mounting		529350		
Flush mounting (in box Ø60 mm)		529450		

ORDER DATA

Part.-No.

Ventilation button 230 V AC

Application: Ventilation button for connection to the push button input of 230 V AC power supplies or for direct control of 230 V AC drives.



TECHNICAL DATA (Rated values)

Contact type:	2 NO switches
Switching capacity:	max. 230 V AC (10 A)
Housing:	plastic, white (similar to RAL 1013)
Dimensions (WxHxD):	Surface mounting: 81 x 81 x 54 mm Flush mounting: 81 x 81 x 11 mm
Connections:	Screw terminal 1,5 mm ² (rigid wire)
Protection rating:	IP20
Functions:	OPEN/CLOSE dead-man (push to run mode)

Feature/Equipment

- Push buttons **with** mechanical locking, the drive move as long as a button is pushed

VERSIONS

Surface mounting	529530			
Flush mounting (in box Ø60 mm)	529630			

Rotary ventilation switch 230 V AC

Application: Rotary switch for connection to the push button input of 230 V AC power supplies or for direct control of 230 V AC drives.



TECHNICAL DATA (Rated values)

Contact type:	2 NO switches
Switching capacity:	230 V AC / 10 A
Housing:	plastic, white (similar to RAL 1013)
Dimensions (WxHxD):	Surface mounting: 81 x 81 x 54 mm Flush mounting: 81 x 81 x 11 mm
Connections:	Screw terminal 1,5 mm ² (rigid wire)
Protection rating:	IP20
Functions:	OPEN-STOP-CLOSE

Feature/Equipment

- Switch **with** mechanical locking,

VERSIONS

Surface mounting	529550			
Flush mounting (in box Ø60 mm)	529650			

Room temperature controller

483200

Application: Thermostat as on-off controller for room temperature detection.



TECHNICAL DATA (Rated values)

Measuring element:	Bimetal switch
Contact type:	1 change-over switch
Switching capacity:	230 V AC / 5 A
Settings:	0 – 30 °C
Housing:	Surface mounting, plastic, white
Dimensions (WxHxD):	74,5 x 74,5 x 25 mm
Connections:	Screw terminal 1,5 mm ² (rigid wire)
Protection rating:	IP30

Feature/Equipment

- Connection to **ventilation inputs** of SHEV or natural ventilation control units

ORDER DATA

Part.-No.

Ventilation button 230 V AC

Application: Ventilation button for connection to the push button input of 230 V AC power supplies or for direct control of 230 V AC drives.



TECHNICAL DATA (Rated values)

Contact type:	2 NO switches
Switching capacity:	max. 230 V AC (10 A)
Housing:	plastic, white (similar to RAL 1013)
Dimensions (WxHxD):	Surface mounting: 81 x 81 x 54 mm Flush mounting: 81 x 81 x 11 mm
Connections:	Screw terminal 1,5 mm ² (rigid wire)
Protection rating:	IP20
Functions:	OPEN/CLOSE dead-man (push to run mode)

Feature/Equipment

- Push buttons **with** mechanical locking, the drive move as long as a button is pushed

VERSIONS

Surface mounting	529530			
Flush mounting (in box Ø60 mm)	529630			

Rotary ventilation switch 230 V AC

Application: Rotary switch for connection to the push button input of 230 V AC power supplies or for direct control of 230 V AC drives.



TECHNICAL DATA (Rated values)

Contact type:	2 NO switches
Switching capacity:	230 V AC / 10 A
Housing:	plastic, white (similar to RAL 1013)
Dimensions (WxHxD):	Surface mounting: 81 x 81 x 54 mm Flush mounting: 81 x 81 x 11 mm
Connections:	Screw terminal 1,5 mm ² (rigid wire)
Protection rating:	IP20
Functions:	OPEN-STOP-CLOSE

Feature/Equipment

- Switch **with** mechanical locking,

VERSIONS

Surface mounting	529550			
Flush mounting (in box Ø60 mm)	529650			

Room temperature controller

483200

Application: Thermostat as on-off controller for room temperature detection.



TECHNICAL DATA (Rated values)

Measuring element:	Bimetal switch
Contact type:	1 change-over switch
Switching capacity:	230 V AC / 5 A
Settings:	0 – 30 °C
Housing:	Surface mounting, plastic, white
Dimensions (WxHxD):	74,5 x 74,5 x 25 mm
Connections:	Screw terminal 1,5 mm ² (rigid wire)
Protection rating:	IP30

Feature/Equipment

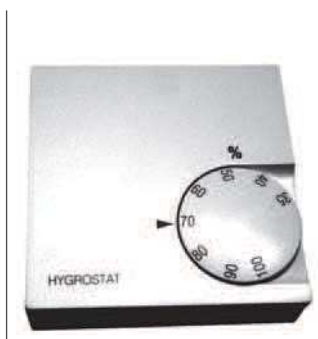
- Connection to **ventilation inputs** of SHEV or natural ventilation control units

ORDER DATA

Part.-No.

Hygrostat	483050			
-----------	--------	--	--	--

Application: Hygrostat as on-off controller for room humidity detection.

**TECHNICAL DATA (Rated values)**

Measuring element:	Bimetal switch
Contact type:	1 Change-over switch
Switching capacity:	230 V AC / 5 A
Settings:	35 – 10% humidity
Housing:	Surface mounting, plastic, white
Dimensions (WxHxD):	74,5 x 74,5 x 25 mm
Connections:	Screw terminal 1,5 mm ² (rigid wire)
Protection rating:	IP30

Feature/Equipment

- Connection to **ventilation input** of SHEV or natural ventilation control units

CO2 – Air quality sensor	483710			
--------------------------	--------	--	--	--

Application: Sensor for the detection and evaluation of the CO₂ concentration inside rooms.

**TECHNICAL DATA (Rated values)**

Operating voltage:	24 V DC (+/-5%)
Measuring element:	electronic
Contact type:	2 Normal open switch
Pulse duration:	3,5 sec.
Switching capacity:	230 V AC / 0,5 A
Measuring range:	0 – 3000 ppm CO ₂
Housing:	Surface mounting, plastic, white
Dimensions (WxHxD):	78 x 78 x 35 mm
Connections:	Screw terminal 1,5 mm ² (rigid wire)
Protection rating:	IP30
Display:	3 LED (green, yellow, red)

Feature/Equipment

- Connection to **ventilation input** of SHEV or natural ventilation control units

Conservatory Control WG 3006	484001			
------------------------------	--------	--	--	--

Application: Control of 230 V drives. For opening and closing of conservatories, terraces and balconies canopies - manually and depends on the internal temperature. It may be a 230 V rain sensor can be connected.

**TECHNICAL DATA (Rated values)**

Operating voltage:	230 V AC
Contact type:	1 change-over switch
Switching capacity:	230 V AC / 3 A
Settings:	5 – 30 °C
Housing:	Surface mounting, plastic, white
Dimensions (WxHxD):	127 x 74 x 24 mm
Connections:	Screw terminal 1,5 mm ² (rigid wire)
Protection rating:	IP30

Feature/Equipment

- Thermostat with switch hand/automatic and rocker-switch OPEN/CLOSE

ORDER DATA

Part.-No.

WRAG2 – Wind / Rain evaluation unit**482005**

Application: For the evaluation of wind and rain signals from wind and rain sensors Type 7x/8x or rain sensors operating with 24 V DC and their transmission via 2 volt free contacts, with additional input for connecting of ventilation buttons (or time switches etc.).

**TECHNICAL DATA (Rated values)**

Operating voltage: 230 V AC, 50 Hz
 Standby consumption: <100 mA
 Inputs: Rain senso 24 V DC, wind sensor, ventilation button
 Display: Power, wind, rain
 Wind speed range: 2,5 – 20 m/s, adjustable
 Outputs: 2 Change-over switches, 230 V AC / 5 A

Housing: plastic, surface RAL 7035, bottom RAL 7021
 Dimensions (WxHxD): 105 x 86 x 58 mm
 Installation: 35-mm mounting rail
 Connections: Screw terminals 1,5 mm² (rigid wire)
 Protection rating: IP40

Feature/Equipment

- Signal transmission for wind or/and rain (separately or together) adjustable via 4 DIP switches, direct connection of drives up to max. 5 A, switch-on time delay for wind and rain signal, and switch-off time delay for wind signal

REL-WRAG2 – Relay for contact multiplier**487020**

Application: Relay as contact multiplier of output signals of wind and rain evaluation unit WRAG2.

**TECHNICAL DATA (Rated values)**

Operating voltage: 230 V AC, 50 Hz
 Contact type: 2 Change-over switches
 Switching capacity: 230 V / 8 A
 Connections: Screw terminal 1,5 mm² (rigid wire)

Feature/Equipment

- With base for installation on 35-mm mounting rail

Compact distributor housing for WRAG2**482011**

Application: Surface mounting distributor housing for the installation and wiring of wind and rain evaluation WRAG2 and max. 2 relays.

**TECHNICAL DATA**

Material: plastic (ABS)
 Type of installation: Surface mounting
 Protection rating: IP30
 Dimensions (WxHxD): 182 x 180 x 82 mm
 Reserve space: 2 REL-WRAG2

Feature/Equipment

- w/o fixing screws

ORDER DATA

	Part.-No.
Distributor housing for WRAG2	482015
Application: Surface mounting distributor housing for the installation and wiring of wind and rain evaluation WRAG2 and max. 6 relays.	



TECHNICAL DATA

Material:	plastic (ABS)
Type of installation:	Surface mounting
Protection rating:	IP30
Dimensions (WxHxD):	303 x 245 x 95 mm
Reserve space:	6 REL-WRAG2

Feature/Equipment

- w/o fixing screws

Wind and rain evaluation Type IV	482008
Application: For the evaluation of wind and rain signals from wind and rain sensors Type 7x/8x or rain sensors operating with 24 V DC and their transmission via 3 volt free contacts.	



TECHNICAL DATA (Rated values)

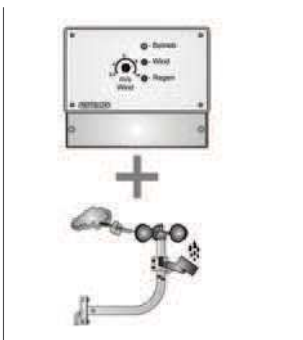
Operating voltage:	230 V AC, 50 Hz
Standby current:	<100 mA
Inputs:	Rain sensor 24 V DC, wind sensor
Display:	Power, wind, rain
Wind speed range:	2,5 – 10 m/s, adjustable
Outputs:	3 Change-over switches, 5 A / 230 V AC

Housing:	plastic, surface RAL 7035, bottom RAL 7021
Dimensions (WxHxD):	212 x 180 x 80 mm
Installation:	Surface mounting
Connections:	Screw terminal 1,5 mm ² (rigid wire)
Protection rating:	IP40

Feature/Equipment

- Direct connection of drives up to max. 5 A, switch-on time delay for wind and rain signal, and switch-off time delay for wind signal
- Suitable for surface mounting

Wind and rain sensor set Typ IV	481990
Application: Set consisting of wind and rain evaluation Type IV with wind and rain sensor set Type 7x/8x, for the evaluation of wind and rain signals and their transmission via 3 volt-free contacts.	



TECHNICAL DATA

See wind and rain control unit Type IV and wind and rain sensor set Type 7x/8x.

Feature/Equipment

- Set including: Wind sensor Type III (Part.-No. 482021), rain sensor Type III (Part.-No. 480210), clamp ring (Part.-No. 519950), bracket for pole or wall mounting (Part.-No. 482093), without mounting screws

ORDER DATA

Part.-No.

Wind sensor Type III

482021

Application: Anemometer with 3 impact resistant wind cups (PA6) for wind speed detection.**TECHNICAL DATA (Rated values)**

Operating voltage:	24 V DC (+/- 20%)
Measuring principle:	Pulse generator, ball bearing
Housing:	Aluminium Ø36 mm, untreated
Wind cups:	PA6, black
Dimensions:	250 x 250 x 80 mm
Connection cable:	non-halogen cable, approx. 4 m

Feature/Equipment

- For connection with: EMB7300 control units, WM weather module (EMB8000), wind/rain controls WRAG2 and Type IV. With clamp ring for fixing on all the wall/pole brackets with outer diameter Ø36mm

COMPONENTS

Cups for wind sensor Type III

490601

Clamp ring for wind sensor Type III

515950

Rain sensor Typ III 24 V DC

480210

Application: Rain sensor with heated sensor surface and internal control with volt free output contact.**TECHNICAL DATA (Rated values)**

Operating voltage:	24 V DC (+/- 20%)
Standby current:	<150 mA
Measuring principle:	Conductivity measurement, heated sensor
Hysteresis:	5 min
Display:	Output active
Output:	Change-over switch, 5 A / max. 48 V
Protection rating:	IP65
Housing:	Surface mounting, ABS black with bracket (stainless steel)
Dimensions:	100 x 85 x 172 mm
Connection cable:	non-halogen cable, approx. 4 m

Feature/Equipment

- For connection with: EMB7300 control units, WM weather module (EMB8000), wind/rain controls WRAG2 and Type IV

Rain sensor Typ III 230 V AC

480110

Application: Rain sensor with heated sensor surface and internal control with volt free output contact.**TECHNICAL DATA (Rated values)**

Operating voltage:	230 V AC (50 Hz)
Power consumption:	<1,5 VA
Measuring principle:	Conductivity measurement
Display:	Output active
Output:	Change-over switch, 5 A / max. 230 AC
Protection rating:	IP65
Housing:	Surface mounting, ABS black with bracket (stainless steel)
Dimensions:	100 x 85 x 172 mm
Connection cable:	non-halogen cable, approx. 4 m

Feature/Equipment

- Single device for the feed from electric mains power supply

ORDER DATA

		Part.-No.		
WR-Set Type 7x/8x – Wind und Rain Sensor Set		482100		
Application: Sensors for wind and rain to work with an evaluation unit WRAG2 or Typ IV, a WM module or directly with a SHEV control unit, for closing and blocking the natural ventilation under bad weather conditions.				



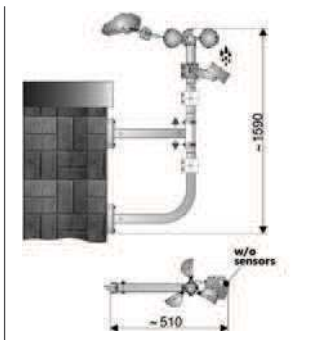
TECHNICAL DATA (Rated values)

Rated voltage:	24 V DC (+/- 20%)
Rain sensor Type III – heated sensor	surface, switch-off delay approx. 5 min.
Contact:	1 Change-over switch, max. 48 V / 5A
Current consumption:	<150 mA
Housing:	Surface mounting, ABS black with stainless steel bracket
Dimensions (WxHxD):	100 x 85 x 172 mm
Connection cable:	Non-halogen cable, approx. 4 m
Volt free contact:	1 Change-over switch, max. 48 V / 1A
Wind sensor Type III – Anemometer	with 3 impact resistant wind cups (PA6)
Measuring principle:	Pulse generator
Dimensions:	250 x 250 x 80 mm
Connection cable:	non-halogen cable, approx. 4 m

Feature/Equipment

- Set including: Wind sensor Type III (Part.-No. 482021), rain sensor Type III (Part.-No. 480210), clamp ring (Part.-No. 519950), aluminium bracket for pole or wall mounting (Part.-No. 482093), without mounting screws

		491200		
Application: Wall bracket with dual fixings for wind and rain sensors.				



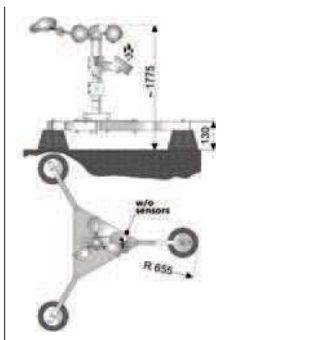
TECHNICAL DATA

Height:	app. 1500 mm
Outreach:	app. 510 mm
Material:	Aluminium Ø36mm

Feature/Equipment

- w/o fixing screws and sensors

		491101		
Application: Pole bracket for the fixing of wind and rain sensors at flat roofs.				



TECHNICAL DATA

Height:	app. 1775 mm
Base area:	app. Ø1300 mm
Material:	Aluminium Ø36mm with 3 stable concrete feet

Feature/Equipment

- w/o sensors

ORDER DATA

	Part.-No.
Relay interface for 230 V drives	670071
Application: Relay for the connection of 230 V AC drives to a 24 V DC drive line, triggering by pole change of 24 V DC drive line.	



TECHNICAL DATA (Rated values)

Operating voltage:	24 V DC, +/-20% (max. 2 Vpp)
Standby consumption:	<100 mA
Switching capacity:	230 V AC / 3 A
Drive type:	S2, S3, S12, MP
Ambient temperature range:	0 ... +70 °C
Housing:	Surface mounting, plastic, white
Dimensions (WxHxD):	98 x 98 x 58 mm
Connections:	Screw terminals 4,0 mm ² (rigid wire)
Protection rating:	IP54

Feature/Equipment

- Connection to the **drive line** of SHEV or natural ventilation control units

GLT-LZM3 – Runn time module 0 – 10 V for ventilation	500119
Application: For the stroke control with 0 – 10 V signal (0 – 100%) of one drive line.	



TECHNICAL DATA (Rated values)

Operating voltage:	24 V DC
Control voltage:	0 – 10 V DC
Drive run time range:	5 – 999 sec.
Contact load:	30 V / < 0,5 A
Housing:	plastic, for 35-mm mounting rail
Dimensions (WxHxD):	74,5 x 74,5 x 25 mm
Connections:	Screw terminal 1,5 mm ² (rigid wire)

Feature/Equipment

- For the connection to **drive line** of SHEV or natural ventilation control units
- Cabinet mounting requires free space within housing
- The setting of the drive run time (for the stroke limitation) corresponds to 10 V (100% open). The ventilation line is closed at 0 V (0% open)
- The intermediary positions correspond to the applied 0 – 10 V voltage
- Operating voltage polarised in close direction: Drives are following the 0 – 10 V signal
- Operating voltage polarised in open direction: 0 – 10 V signal is overdriven, drives run to end limit OPEN (Emergency-open function)

OPTIONS

Cabinet mounting (a larger housing may be required)	500113
---	---------------

Time switch	722374
Application: Usable to open / close ventilation lines time controlled. Contains day-programm and week-programm (30 program locations).	



TECHNICAL DATA (Rated values)

Operating voltage:	230 V AC
Contact type:	change-over switch
Switching capacity:	230 V AC / 16 A
Housing:	plastic, white, for 35 mm top rail
Dimensions (WxHxD):	17,6 x 63 x 90 mm
Connections:	Screw terminal 1,5 mm ² (rigid wire)
Protection rating:	IP20

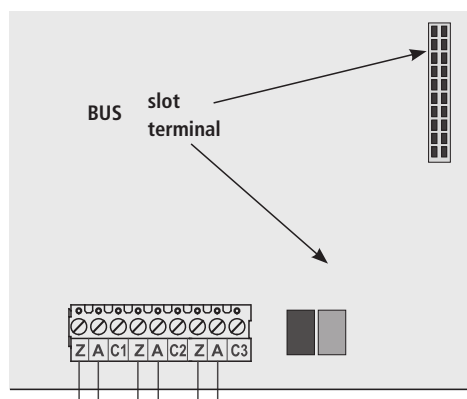
Feature/Equipment

- Connection to the **ventilation input** of SHEV or natural ventilation control units

OPTIONS

Cabinet mounting (a larger housing may be required)	500113
---	---------------

Connection:
BI-K to natural ventilation control unit LZ1
(Part.-No.: 660028)



ORDER DATA

Part.-No.

BI-K - KNX Interface LZ1 / LZ6 / EMB 7300

683999

Application: Plug-in card for communication between the controllers Aumüller LZ1, LZ6 and EMB 7300 to the KNX BUS system.



TECHNICAL DATA

Rated voltage:	24 V DC
Ambient temperature range:	-5°C ... + 40°C
Relative humidity:	(no condensate) 5% ... 90%
Data points:	up to 16 pieces per drive line
BUS current:	9mA
Housing:	without (assembled PCB)
Dimensions (WxH):	51 x 42 mm
Connection terminals:	2 x 0,6-0,8 mm ² (KNX-BUS-Terminal)

Feature/Equipment

- Data of the control (e.g. drive position) are sent on the KNX-BUS.
- The controls received direct orders from the KNX-BUS (e.g. position information, weather data).