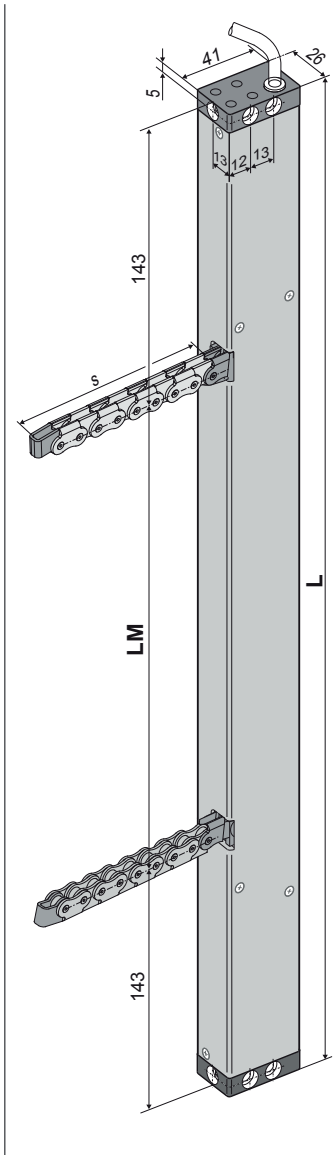




- Application: natural ventilation, SHEV, ferralux®-NSHEV
- Internal Intelligent Control Electronics S12
- Z-Version: Programmable feedback limit position „OPEN“ and „CLOSE“ (max. 24 V, 500 mA)

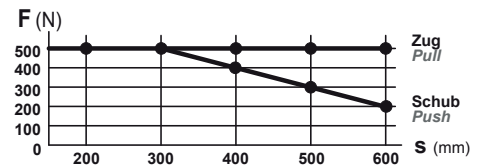
### Options

- Programmable special functions
- M-COM for automatic synchronised run of multi drive systems and automatic sequence control with locking drives (S3 / S12)



### TECHNICAL DATA

<b>U<sub>N</sub></b>	Rated voltage	24V DC (19 V ... 28 V)
<b>I<sub>N</sub></b>	Rated current	1,4 A
<b>I<sub>A</sub></b>	Cut-off current	2,0 A
<b>P<sub>N</sub></b>	Rated power	34 W
<b>DC</b>	Duty cycle	5 cycles (ED 30 % - ON: 3 min./OFF: 7 min.)
	Protection rating	IP 32
	Ambient temperature range	-5 °C ... +60 °C
<b>F<sub>Z</sub></b>	Pulling force max.	500 N
<b>F<sub>A</sub></b>	Pushing force max.	



<b>F<sub>H</sub></b>	Pullout force	1.800 N (fastening depended)
	Chain	Stainless steel, without protruding rivet heads. Simple connection to casement brackets. Small bending radii allow maximum opening angles of small windows.
	Connecting cable	non-halogen, grey 5 x 0,5 mm <sup>2</sup> , ~ 3 m
<b>v</b>	Speed	$s < 400$ 8,0 mm/s  8,0 mm/s $s 500 - 600$ 12,0 mm/s  8,0 mm/s
<b>s</b>	Stroke	50 – 600 mm
<b>L</b>	Length	see order data
<b>LM</b>	Distance in between chains	see order data
	Sound pressure level	≤ 70 dB (A)

ORDER DATA							
s [mm]	L [mm]	LM [mm]	Version	Finish	PU/pcs.	Part.-No.	
200	640	354	KS2 TWIN 200 S12 24V	E6/C-0	1	<b>521820</b>	
			KS2 TWIN 200 S12 24V Z	E6/C-0	1	<b>521823</b>	
400	830	544	KS2 TWIN 400 S12 24V	E6/C-0	1	<b>521840</b>	
			KS2 TWIN 400 S12 24V Z	E6/C-0	1	<b>521843</b>	
500	1060	774	KS2 TWIN 500 S12 24V	E6/C-0	1	<b>521850</b>	
			KS2 TWIN 500 S12 24V Z	E6/C-0	1	<b>521853</b>	
600	1060	774	KS2 TWIN 600 S12 24V	E6/C-0	1	<b>521860</b>	
			KS2 TWIN 600 S12 24V Z	E6/C-0	1	<b>521863</b>	

OPTIONS							
Special model		PU/pcs.	Part.-No.				
<b>Drive housing painted/powder coated in other RAL colours</b>							
<b>Lump sum for coating</b>				<b>516030</b>			
Specify at order stage:			1 – 20	<b>516004</b>			
			21 – 50	<b>516004</b>			
			51 – 100	<b>516004</b>			
			from 101	<b>516004</b>			
<b>Extra length connecting cable:</b>							
5 m – non-halogen, grey – 5 x 0,5 mm <sup>2</sup>				<b>501054</b>			
10 m – non-halogen, grey – 5 x 0,5 mm <sup>2</sup>				<b>501056</b>			
<b>Microprocessor programming S12</b>							
Electronic stroke reduction 24V S12				<b>524190</b>			
Programming drives 24V / 230V S12				<b>524180</b>			
<b>Optional accessories</b>			PU/pcs.	Part.-No.			
M-COM Configuration module for synchronised multi-drive systems			1	<b>524177</b>			