

OVERVIEW OF BRACKETS				1	2	3	4	5	6	
Typical application										
Frame bracket				K93, K94	K129, K130	K96, K96-1	No	K105A, K105B, K105S, K106	K128	
Casement bracket				F21, F35, F37, F17		F95, F120	F95, F120	F18, F19, F20, F22	F21	
Space requirement	min.	[mm]	16 – 30	25 – 30	38	30	Note profile depth	Schüco AWS 57RO		
Overlap thickness *1		[mm]	0 – 21	0 – 21	0 – 21	0 – 21				
Opening angle *2	max.	[DEG]	35	45	60	40	60	45		
Casement weight *3	max.	[Kg]	70	60	50	70	70	70		
Window material		Alu		●	●	●	●	●	●	
		Wood		●	●	●	●	■		
		PVC		●	●	●	●			
Type of window and mounting	Bottom hung	inward	HSK	FM	●	●				
				RM			●			
			NSK	FM	●	●				
		RM				●	●			
		outward	HSK	RM	●	●				●
				PR						
	NSK		RM	●	●					
		PR								
	Top hung	inward	HSK	FM	■	■				
				RM			■	■		
			NSK	FM	■	■				
		RM				■	■			
		outward	HSK	RM	■	●				■
				PR						
	NSK		RM	■	■					
		PR								
	Side hung	inward	HSK	FM	●	●				
				RM			●	●		
			NSK	FM						
	RM									
	Roof	outward	HSK	RM	■	■				■
				PR						
			NSK	RM						
				PR						
PAF	outward		RM	●	●		●			
Concealed							●			
FAB *4	Solo	[mm]	600 – 1200							
	Sync2	[mm]	1000 – 2500							
FAH *4	Solo	[mm]	250 – 1500							
	Sync2	[mm]	250 – 2500							

LEGEND

● suitable ■ not recommended

*1 Window sizes and opening angles may be different.

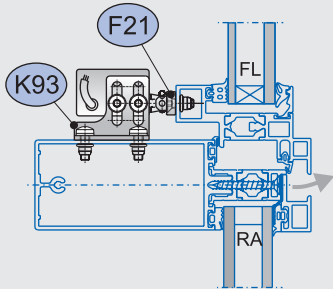
*2 Sample values of the opening angle evaluated on the basis of FAB/FAH for inward opening windows with drives mounted at the main closing edge. For any other window heights, for outward opening windows and for windows with drives mounted at the side edges the opening angle will vary.

*3 Please respect the individual geometry of the different windows. The listed max. casement weight refers to a single drive on button hung window with a max. opening angle.

*4 Sample value of the casement dimensions for corner joints of 110 mm. The actual casement dimensions depend on length of the corner joints, profile dimensions, stroke and position of the drives.
The values of FAB/FAH are to be used analogue for side hung windows.

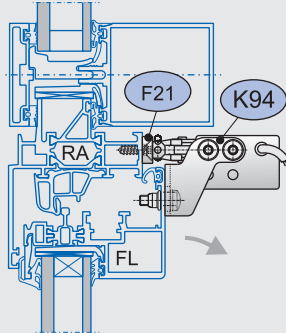
TYPICAL APPLICATIONS

- 1 PR, top hung outward opening



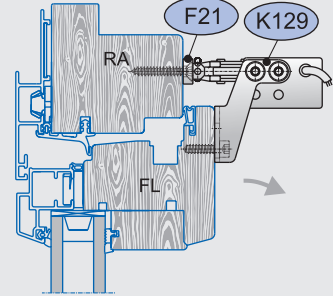
View on aluminium window

- 1 FM, bottom hung inward opening



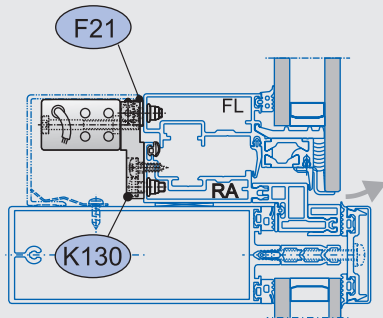
View on aluminium window

- 2 FM, bottom hung inward opening



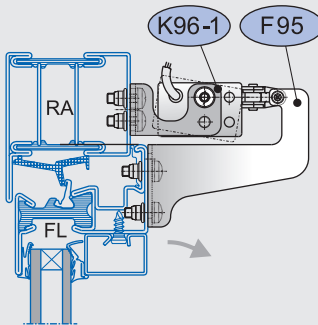
View on aluminium-wood window

- 2 RM, bottom hung outward opening



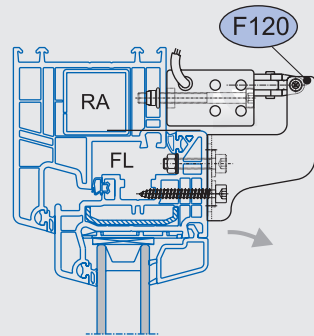
View on aluminium window

- 3 RM, bottom hung inward opening



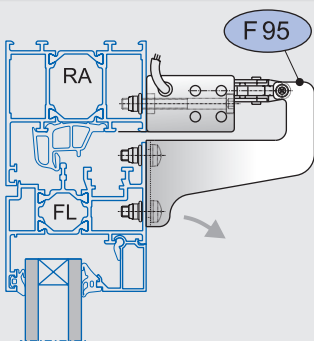
View on steel window

- 4 RM, bottom hung inward opening



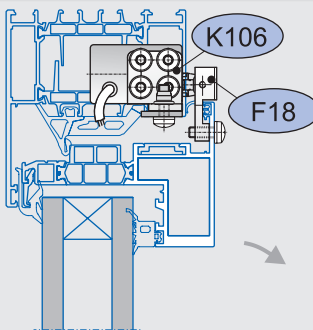
View on PVC window

- 4 RM, bottom hung inward opening



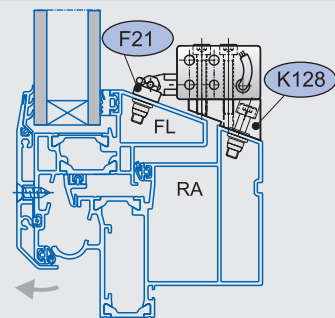
View on aluminium window

- 5 Concealed, bottom hung inward opening



View on aluminium window

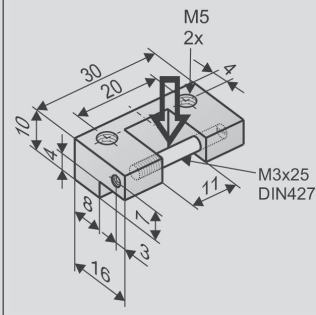
- 6 RM, top hung outward opening



View on aluminium window (Facade)

CASEMENT BRACKETS

F17



Application

Concealed mounting inside in-/outward opening face- or flush-fitted casements, fixing inside rebate below the secondary gasket with screws removable from outside, for inside the window frame profiles concealed mounted drives **KS2** with **K105**

Chain fixing in direction of the arrow

Part.-No. 151417

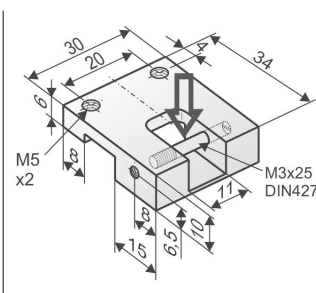
Material/Finish

aluminium
(natural anodized)

Feature/Equipment

1x shaft screw M3x25,
2x rounded head screw M5x10

F18



Application

Partially concealed mounting on inner profile side of inward opening face-fitted casements, fixing below the secondary gasket with screws removable from outside, for inside the window frame profiles concealed mounted drives **KS2** with **K105**

Chain fixing in direction of the arrow

Part.-No. 151418

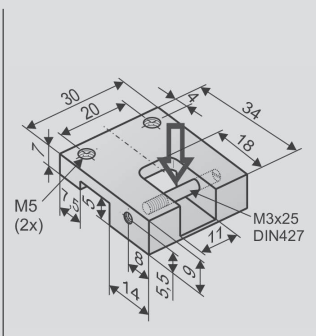
Material/Finish

aluminium
(natural anodized)

Feature/Equipment

1x shaft screw M3x25,
2x rounded head screw M5x10

F18-1



Application

Surface mounting on inward opening face-fitted casements, for inside the window frame profiles concealed mounted drives **KS2** with **K105**

Chain fixing in direction of the arrow

Part.-No. 151428

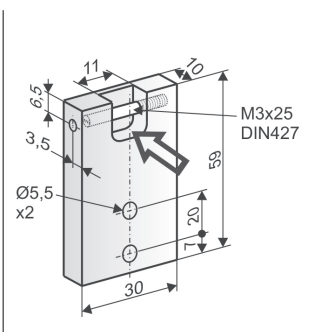
Material/Finish

aluminium
(natural anodized)

Feature/Equipment

1x shaft screw M3*25
2x rounded head screw M5x10

F19



Application

Surface mounting on inward opening face-fitted casements, for inside the window frame profiles concealed mounted drives **KS2** with **K105**

Chain fixing in direction of the arrow

Part.-No. 151419

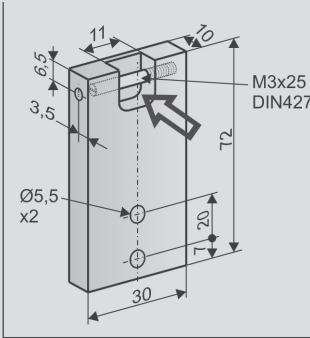
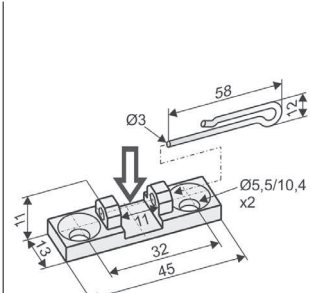
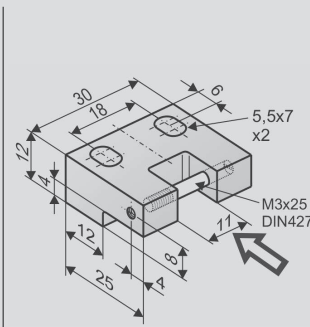
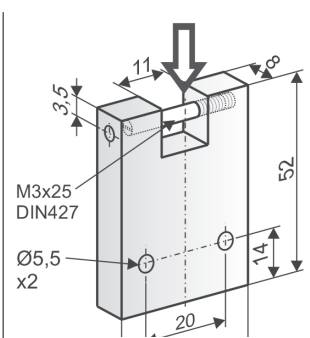
Material/Finish

aluminium
(natural anodized)

Feature/Equipment

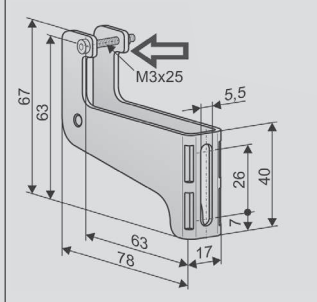
1x shaft screw M3x25,
2x rounded head screw M5x20

CASEMENT BRACKETS

F20		<p>Application</p> <p>Surface mounting on inward opening face-fitted casements, for inside the window frame profiles concealed mounted drives KS2 with K105</p> <p>Chain fixing in direction of the arrow</p>	<p>Part.-No. 151420</p> <p>Material/Finish aluminium (natural anodized)</p> <p>Feature/Equipment 1x shaft screw M3x25, 2x rounded head screw M5x20</p>	
F21		<p>Application</p> <p>Surface mounting on the casement/window frame profiles on the main/side closing edge of in-/outward opening windows, for surface mounted drives KS2/KSL with K93, K94, K129, K130</p> <p>Chain fixing in direction of the arrow</p>	<p>Part.-No. 151421</p> <p>Material/Finish aluminium (natural anodized)</p> <p>Feature/Equipment 1x spring pin Ø 3 mm</p>	
		<p>Optional accessories</p>		
F35		<p>Application</p> <p>Surface mounting on the horizontal side of deep casement profiles of outward opening (friction hinged) windows, for surface mounted drives KS2/KSL with K93, K94, K129, K130</p> <p>Chain fixing in direction of the arrow</p>	<p>Part.-No. 151425</p> <p>Material/Finish aluminium (natural anodized)</p> <p>Feature/Equipment 1x shaft screw M3x25</p>	
F37		<p>Application</p> <p>Surface mounting on the horizontal side of deep casement profiles of outward opening (friction hinged) windows, for surface mounted drives KS2/KSL with K93, K94, K129, K130</p> <p>Chain fixing in direction of the arrow</p>	<p>Part.-No. 151424</p> <p>Material/Finish aluminium (natural anodized)</p> <p>Feature/Equipment 1x shaft screw M3x25</p>	

CASEMENT BRACKETS

F95



Application

Surface mounting on the case-ment profiles of inward opening windows, for surface mounted drives **KS2/KSL** with **K96-1**

Chain fixing in direction of the arrow

Part.-No. 523972

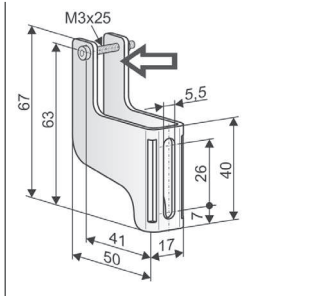
Material/Finish

Stainless steel

Feature/Equipment

1x screw M3x25,
spring pin M3,

F120



Application

Surface mounting on the case-ment profiles of inward opening windows, for direct fixing of sur-face mounted drives **KS2** on the window frame profile

Chain fixing in direction of the arrow

Part.-No. 523973

Material/Finish

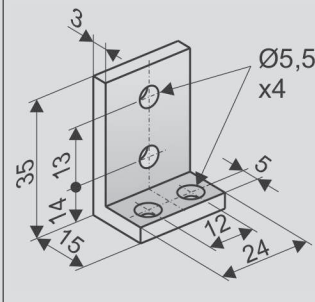
Stainless steel

Feature/Equipment

1x screw M3x25,
spring pin M3,

CASEMENT BRACKETS

K105-B

**Application**

Concealed mounting inside the window frame profiles of in-/outward opening windows, for rigid fixing of concealed drives **KS2** with **F17, F18, F19, F20**

Part.-No. 523977

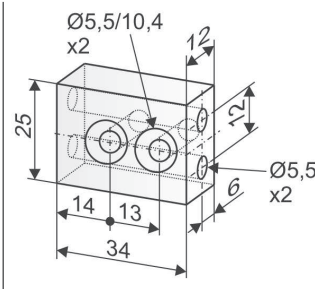
Material/Finish

aluminium
(natural anodized)

Feature/Equipment

2 angle brackets,
4x rounded head screw
M5x10,
4x washer A 5,3

K105-A

**Application**

Concealed mounting inside the window frame profiles of in-/outward opening windows, for rigid fixing of concealed drives **KS2** with casement brackets **F17**, (FAH min. 700 mm)

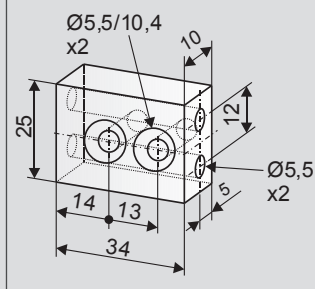
Part.-No. 523975

Material/Finish

aluminium
(natural anodized)

Feature/Equipment

2 angle brackets

K105-A
-W77**Application**

Concealed mounting inside the window frame profiles of in-/outward opening windows, for rigid fixing of concealed drives **KS2** with casement brackets **F18-1**, (FAH min. 400 mm)

Part.-No. 523965

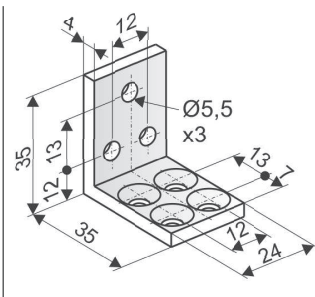
Material/Finish

aluminium
(natural anodized)

Feature/Equipment

2 angle brackets

K106

**Application**

Concealed mounting inside the window frame profiles of in-/outward opening windows, for rigid fixing of concealed drives **KS2** with **F19** (FAH min. 700 mm), **F20** (FAH min 500 mm)

Part.-No. 523976

Material/Finish

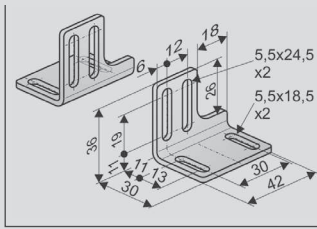
aluminium
(natural anodized)

Feature/Equipment

2 angle brackets,
4x countersunk screw
M5x10

CASEMENT BRACKETS

K93



Application

Surface mounting on the transom/mullion profiles of outward opening windows, for rigid fixing of surface mounted drives **KS2** with **F21**

Part.-No. 523916

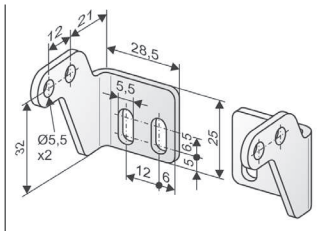
Material/Finish

Stainless steel

Feature/Equipment

4x allen screw M5x10,
4x washer A 5,3

K94



Application

Surface mounting on the case-ment/window frame profiles of in-/outward opening windows, for rigid or swivelling fixing of drives **KS2/KSL** with **F21, F35, F37**

Part.-No. 523921

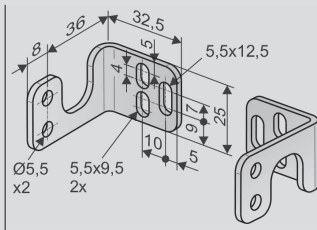
Material/Finish

Stainless steel

Feature/Equipment

4x torx screw M5x10,
4x washer A 5,3

K96-1



Application

Surface mounting on the casement profiles of inward opening windows, for rigid or swivelling fixing of drives **KS2/KSL** with **F95**

Part.-No. 523997

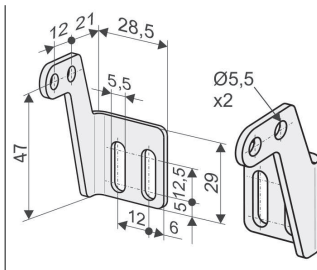
Material/Finish

Stainless steel

Feature/Equipment

4x torx screw M5x10,
2x torx screw M5x16,
4x washer A 5,3

K129



Application

Surface mounting on the case-ment/window frame profiles of in-/outward opening windows, for rigid or swivelling fixing of drives **KS2/KSL** with **F21, F35, F37**

Part.-No. 523969

Material/Finish

Stainless steel

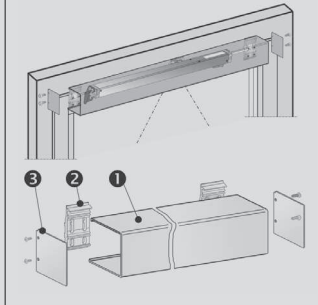
Feature/Equipment

4x torx screw M5x10,
4x washer A 5,3

OPTIONAL ACCESSORIES

Cover profile set

AP KS2



Application

Cover profile for surface mounted drives **KS2** with brackets **K94, K129, K130**. Profile length adjustable to the length of the drives (end caps recommended) or of the casement (without end caps)

Material/Finish

see detailed description of components

Feature/Equipment

incl. profile brackets, **without** end caps

L = 1,5 m (incl. 2x profile bracket)

Part.-No. 523952

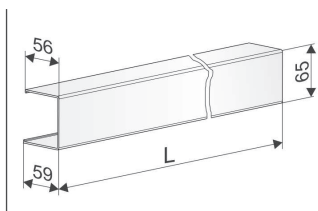
L = 2,0 m (incl. 3x profile bracket)

Part.-No. 523954

L = 2,9 m (incl. 4x profile bracket)

Part.-No. 523956

Cover profile



1

Cover profile for drives **KS2** for cutting on site

Price per metre

Part.-No. 523951

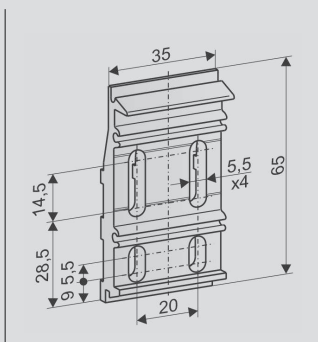
Material/Finish

aluminium (natural anodized)

Feature/Equipment

without profile brackets and end caps

Profile bracket



2

Profile bracket for **KS2** cover profile
< 2 m length: 2 pieces
> 2 m length: 3 – 4 pieces

Part.-No. 523948

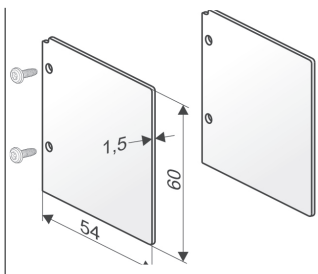
Material/Finish

aluminium (natural anodized)

Feature/Equipment

1 piece (for fixing the cover profile)

End caps



3

End caps for **KS2** cover profile

Part.-No. 523950

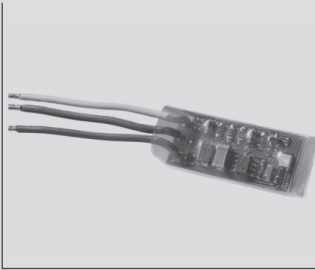
Material/Finish

aluminium (natural anodized)

Feature/Equipment

2 pieces + 4x screw M3x12 (taptite)

OPTIONAL ACCESSORIES

			LZ	PG	Price
					[€]
Main control unit					
M-COM		<p>Application</p> <p>Configuration module for automatic configuration and surveillance of max. 6 opening or locking drives version S12 / S3 in synchronised multi-drive systems</p> <p>Rated voltage: 24 V DC +/- 20%, (max. 2 Vss)</p> <p>Current consumption: <12 mA</p> <p>Drive type: S12</p>	<p>Part.-No. 524177</p> <p>Protection rating IP30 rubber envelope</p> <p>Ambient temperature range 0 °C ... + 70 °C</p> <p>Dimensions 45 x 17 x 6 mm</p> <p>Connecting wires 3 wires 0,5 mm² x 50 mm</p> <p>Feature/Equipment Printed circuit board with components and connection wires to be installed in connection box to be supplied on site</p>	●	31,10

Special model	PU / pcs.	Part.-No.	Extra charge		
Casement brackets painted / powder coated in other RAL colours			LZ	PG	[€]
Lump sum for coating		516030		net	50,00
Specify at order stage:	1 – 20	516032	○	net	14,00
	21 – 50	516032			11,20
	51 – 100	516032			9,10
	up 101	516032			7,00
Frame brackets painted / powder coated in other RAL colours					[€]
Specify at order stage:	1 – 20	516031	○	net	15,60
	21 – 50	516031			14,80
	51 – 100	516031			14,00
	up 101	516031			12,00