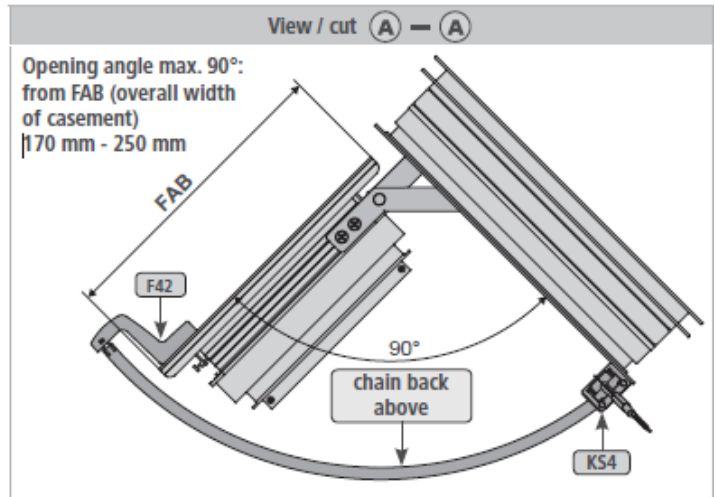
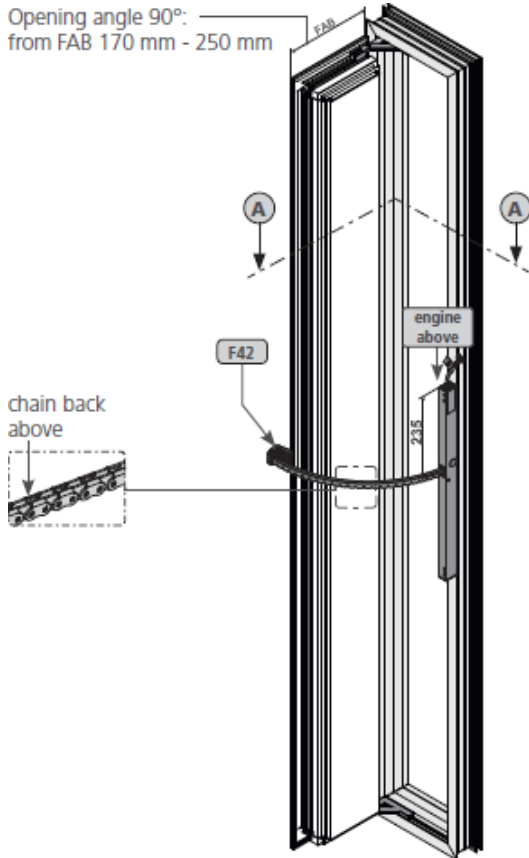


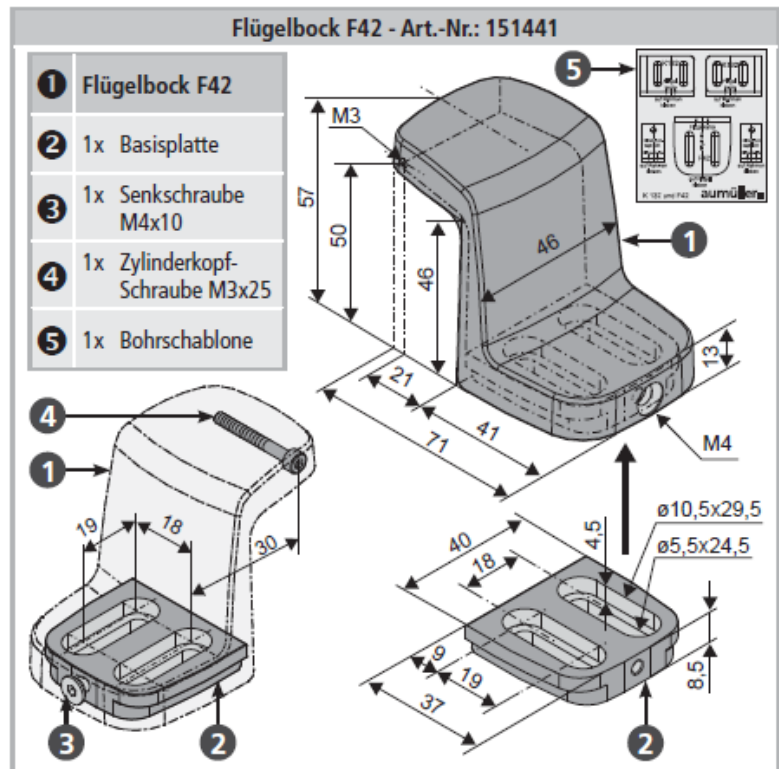


KS4	S12 24V DC	
<p>Concealed mounting inside profiles</p> <p>Connetion 24V DC</p> <p>KS4 400 S12 L stretched V2 Part.-No. 522640</p> <p>(Left) L</p> <p>Connetion 24V DC</p> <p>KS4 400 S12 R stretched V1 Part.-No. 522340</p> <p>(Right) R</p> <p>Left: Version 2 for window DIN left</p> <p>Right: Version 1 for window DIN right</p> <p>Connetion 24V DC</p>	Nominaal Voltage	24V DC (19V... 28V)
	Nominale stroom	0,6 A
Afschakeling stroom	0,8 A	
Nominaal vermogen	22 W	
Arbeidscyclus	5 cycli (ED30% - ON: 3 min./OFF: 7 min.)	
Beschermingsgraad elektrische inrichting	IP32	
Gebruikstemperatuur	-5°C ... +60°C	
Maximale trekkracht	200 N	
Duwkracht		
Uittrekkracht	1.800 N	
Ketting	Flexibel Roestvrij staal	
Kabel	Plug-in aan beide zijden (links & rechts) Halogeen vrije kabel grijs – 5 x 0,5 mm ² , ~ 2 m	
Koerslengte (s) & Lengte motor (L)	S 400 = L 665 mm	
Snelheid	S < 400 : duw 8 mm/s – trek 8 mm/s	
Programmeerbare functies	Koerslengte – Kracht – Snelheid Soft-start - soft-close - soft-stop	
Programmeerbare feedbacklimiet	“open”	
Parallel schakeling	t.e.m. 8 motoren	
RWA	Ja	
Inbouw	Ja	
Eindeloop	Elektronische eindeloop	
Behuizing	Geanodiseerd aluminium	
Synchronisatie	Via M-COM voor automatische synchronisatie	
Opbouwversie Links	522540	
Opbouwversie Rechts	522440	
Inbouwversie Links	522640	
Inbouwversie Rechts	522340	



Stroke programming		
FAB	Stroke	Opening angle approx.
170	280	90°
180	305	90°
200	330	90°
225	350	90°
250	375	90°
275	400	85°
300	400	80°

The stroke is programmed: • according to the desired opening angle
• depending on the FAB

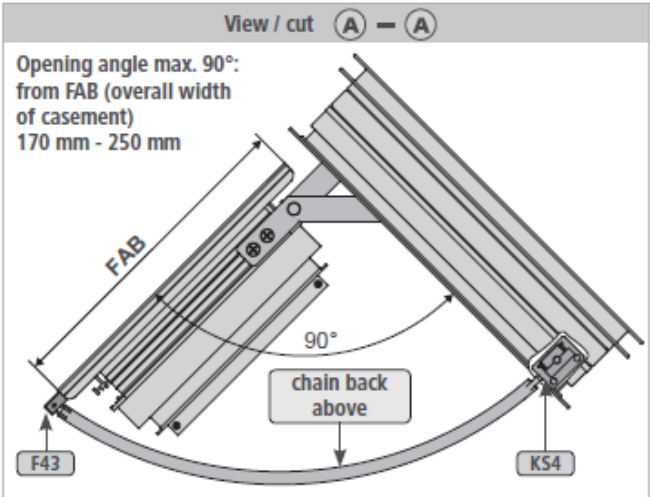
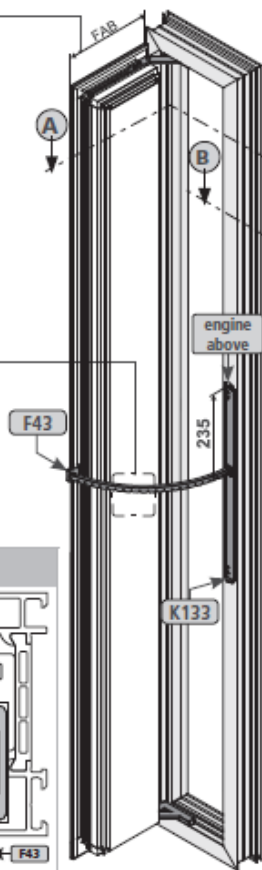
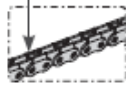


INBOUW VERSIE

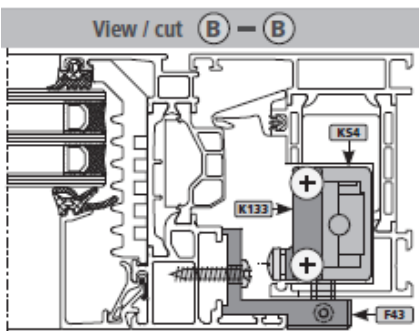
Opening angle 90°:
from FAB 170 mm - 250 mm

Planning of the „concealed mounting
inside profiles” on request!

chain back
above



Opening angle max. 90°:
from FAB (overall width
of casement)
170 mm - 250 mm

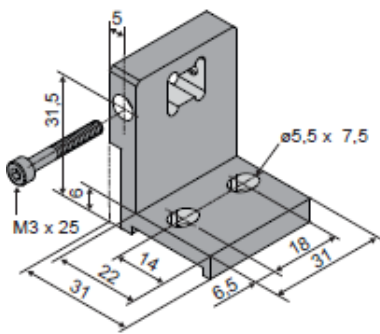


Stroke programming

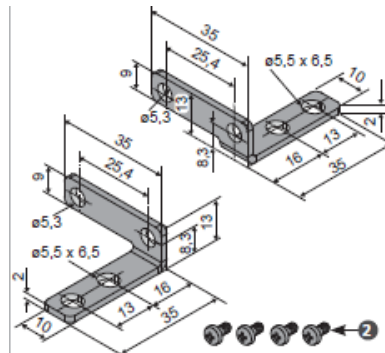
FAB	Stroke	Opening angle approx.
170	280	90°
180	305	90°
200	330	90°
225	350	90°
250	375	90°
275	400	85°
300	400	80°

The stroke is programmed: • according to the desired opening angle
• depending on the FAB

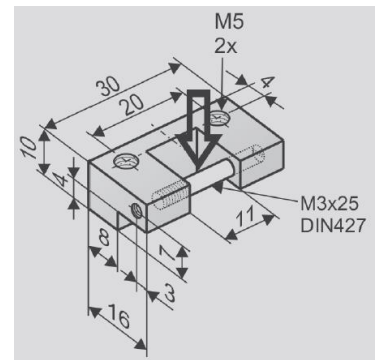
Flügelbock F43
Art. Nr. 151444



Konsole K133
Art. Nr. 522946



Concealed mounting F17
Art. Nr. 151417



ORDER DATA

s [mm]	L [mm]	Version	Finish	PU / pcs.	Part.-No.
400	551	KS4 400 S12 24V L stretched chain V2	E6/C-0	1	522640
400	551	KS4 400 S12 24V R stretched chain V1	E6/C-0	1	522340

OPTIONS

Special model	PU / pcs.	Part.-No.
Drive housing painted/powder coated in other RAL colours		
Lump sum for coating		516030
Specify at order stage:	1 – 20	516004
	21 – 50	516004
	51 – 100	516004
	from 101	516004
Plug solution:		
AUMÜLLER -Click plug solution - 3 m – non-halogen, grey – 5 x 0,5 mm ²		501251
AUMÜLLER -Click plug solution - 5 m – non-halogen, grey – 5 x 0,5 mm ²		501252
AUMÜLLER -Click plug solution - 10 m – non-halogen, grey – 5 x 0,5 mm ²		501253
Microprocessor programming S12		
Electronic stroke reduction 24V S12		524190
Programming drives 24V / 230V S12		524180
Optional accessories	PU / pcs.	Part.-No.
M-COM® Click Configuration module for synchronised multi-drive systems	1	524167
M-COM Configuration module for synchronised multi-drive systems	1	524177