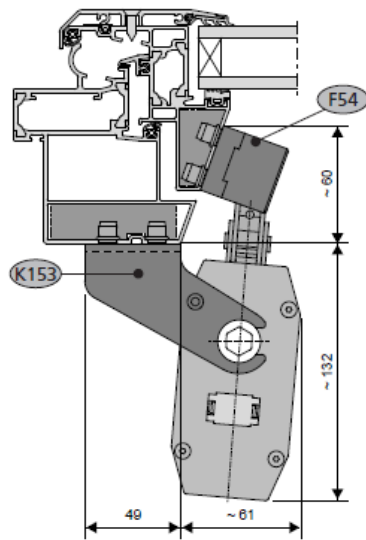


KS15	S12 24V DC	
<p>Connection 24 V DC</p> <p>120</p> <p>60</p> <p>$1/2 L$</p> <p>L</p> <p>S</p> <p>$1/2 L$</p> <p>No electrical connection possible</p>	Nominaal Voltage	24V DC
	Nominale stroom	3,75 A
	Afschakeling stroom	5 A
	Nominaal vermogen	90 W
	Arbeidscyclus	5 cycli (ED 30% - ON: 3 min./OFF: 7 min.)
	Beschermingsgraad Elektrische inrichting	IP 20
	Gebruikstemperatuur	-5°C ... +60°C
	Maximale trekkracht	600 N
	Duwkracht	1.500 N
	Uittrekkkracht	300N tot 1.500N
	Ketting	Gegalvaniseerd staal
	Kabel	Plug-in aan beide zijden (links & rechts) Halogeenrijke kabel grijs – 5 x 0,5 mm ² , ~3 m
	Koerslengte (s) Lengte motor (L)	250 – 1000 mm (± 5%)
	Snelheid	Max. 17mm/s
	Programmeerbare functies	Koerslengte – Kracht – Snelheid Soft-start - soft-close - soft-stop
	Programmeerbare feedback-limiet	"dicht" (max 24V, 500 mA)
	Paralleel schakeling	t.e.m. 8 motoren
	RWA	Ja
	Inbouw	Neen
	Einde-loop	Elektronische einde-loop
Behuizing	Geanodiseerd aluminium	
Synchronisatie	Via M-COM voor automatische synchronisatie	

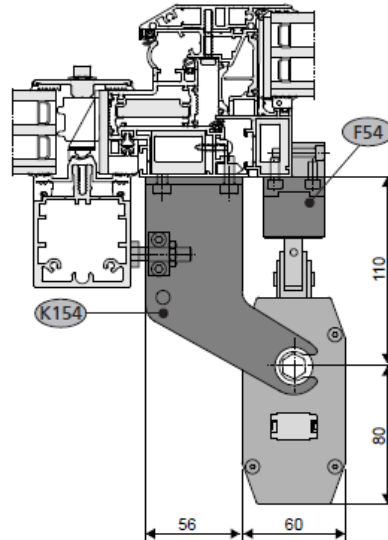
TYPICAL APPLICATIONS

1 RM, roof window, outward opening
Schüco AWS 57RO



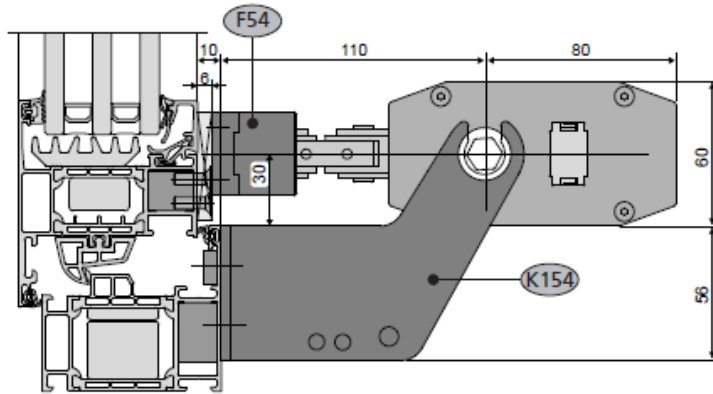
View on PVC-window

2 RM, roof window, outward opening
Raico FRAME+100/120R



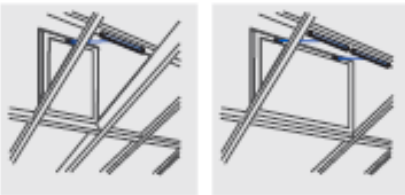
View on PVC-window

2 RM, top hung, outward opening (Mounting universal for facade)

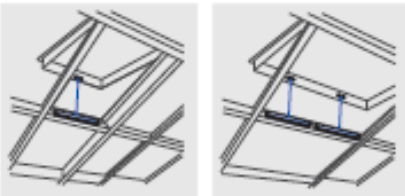


ROOF

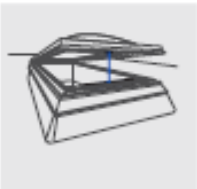
Bottom-hung



Top-hung

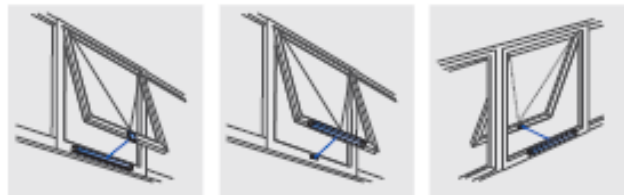


Sky light



FACADE

Top-hung



**K153
F54**

Application
Surface mounting on the frame profiles outward opening roof windows series **Schüco AWS 57RO**, for **swivelling** fixing of drives **KS15 with F54**

Part-No. 524080
Material / Finish
K153: stainless steel, vibratory grinding
F54: aluminium (E6/C-0)
Feature / Equipment
1x K153 frame bracket (left + right)
1x F54 casement bracket consisting of: baseplate, chain storing, screws M5x30, screw M5x25

**K154
F54**

Application
Surface mounting on the frame profiles outward opening roof windows series **Raico FRAME+100/120RI**, for **swivelling** fixing of drives **KS15 with F54**

Part-No. 524085
Material / Finish
K154: stainless steel, vibratory grinding
F54: aluminium (E6/C-0)
Feature / Equipment
1x K154 frame bracket (left + right)
1x F54 casement bracket consisting of: baseplate, chain storing, screws M5x30, screw M5x25

ORDER DATA						
s [mm]	L [mm]	Version	Finish	PU / pcs.	Part.-No.	
Drives						
800	800	KS15 800 S12 24V	E6/C-0	1	525380	
1000	920	KS15 1000 S12 24V	E6/C-0	1	525400	
Set: Frame bracket and casement bracket (kit)						
Set: Frame bracket unit KS15 Schüco AWS 57 RO			K153: Stainless steel, rolled F54: Aluminium, E6/C-0	1	524080	
Set: Frame bracket unit KS15 Raico FRAME+100/120 RI			K154: Stainless steel, rolled F54: Aluminium, E6/C-0	1	524085	

OPTIONEN			
Special model	PU / pcs.	Part.-No.	
Drive housing painted/powder coated in other RAL colours			
Lump sum for coating		516030	
Specify at order stage:	1 – 20	516004	
	21 – 50	516004	
	51 – 100	516004	
	ab 101	516004	
Plug solution:			
AUMÖLLER-Click plug solution - 5 m – non-halogen, grey – 5 x 1,0 mm²			
Microprocessor programming S12			
Electronic stroke reduction 24V S12		524190	
Programming drives 24V / 230V S12		524180	
Optional accessories			
M-COM Configuration module for synchronised multi-drive systems	1	524177	