

08880928N

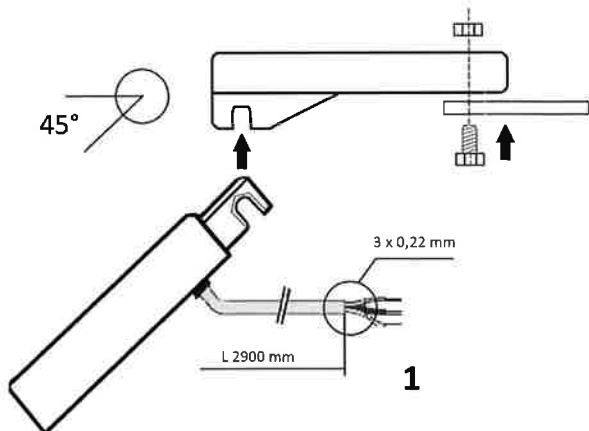
RAIN SENSOR



FUNCTIONING: The sensor detects the intensity and the frequency of the rain drops on the surface, activating the alarm modality.

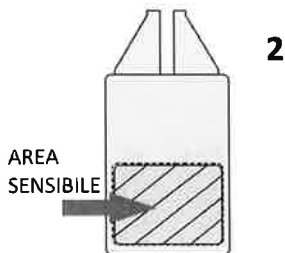
Color cable	Connection
WHITE	+12 VDC
BLUE	DATAS
YELLOW	COMMON

Technical features	
Power supply	12 VDC
Time. Funct. Exercise	- 20° / + 70° C
Protection degree	IP 44
Size	140 x 150 x 60



WARNINGS

- Position the sensor far from any heat source.
- Tilt the sensor in a 45° incline (pic. 1).
- For a correct operation, position the sensor in such a way that the water hits the sensitive area (pic.2)



COMPLIANT TO DIRECTIVES: 2006/95/EC, 2004/108/EC.

Warning! - local regulations may provide for heavy penalties for the illegal disposal of this product.

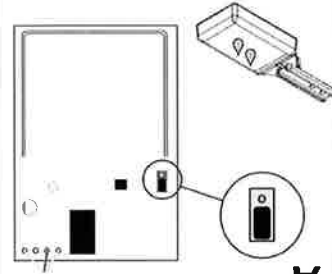
Warning! - Some parts of the product may contain polluting or dangerous substances which, if dispersed in the environment, could cause harmful effects on the environment and on human health. As indicated by the symbol on the side, it is forbidden to throw this product in household waste. Then perform the "separate collection" for disposal, according to the methods established by the regulations in force in your territory, or return the product to the seller when buying a new equivalent product.

This product is an integral part of automation, and therefore must be disposed of together with it. As for the installation operations, even at the end of the life of this product, dismantling operations must be carried out by qualified personnel. This product consists of various types of materials: some can be recycled, others must be disposed of. Ask about the recycling or disposal systems required by the regulations in force in your area, for this category of product.

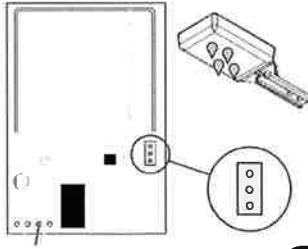


WASTE DISPOSAL

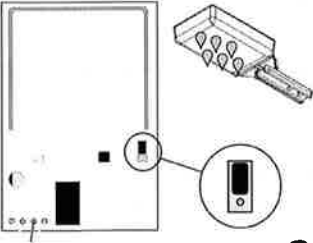
Jumper on the top = high sensitivity, a few rain drops (factory settings) DEFAULT



No jumper = middle sensitivity, moderate quantity of rain drops



Jumper on the low = little sensitivity, many rain drops.



REGULATE THE SENSIVITY OF THE RAIN SENSOR:
Turn the sensor upside down and unscrew the screws on the back. Relocate the jumper on the wished sensitivity position (see pictures A, B, C).
DEFAULT: high sensitivity.

